

SECTION K

Table of Contents



Weatherproof Cable Reels and Industrial Power Cord Reels



Industrial and Commercial Lighted Cord Reels



Air/Water Hose Reels and Static Discharge Reels



| Product | Page |
|---|------|
| Weatherproof Cable Reels | K-2 |
| Industrial Power Cord Reels | K-3 |
| Industrial and Commercial Lighted Cord Reels | K-4 |
| Commercial Cord Reels | K-5 |
| Air/Water Hose Reels and Static Discharge Reels | K-6 |

Features and Benefits

Weatherproof Cable Reels

- Powder coated, solid steel construction
- Multi-position roller guide can be mounted in four different positions
- Ratchet lock can be disengaged in field for constant tension application
- UL Type 4X enclosure protects spring motor, junction box, slip ring assembly and cable entrance from hosedown or corrosion
- Optional pivot base allows 340° rotation of reel and increases range of cable to nearly any direction



HBL501242W
with **HBL16PB**



HBL501242W
with **HBL16PB**



HBL14PB

Weatherproof Cable Reels, 50 Ft. (15.2m)

| Description | Cable Type | Amps | Volts AC | Weight Lbs. (kg) | Catalog Number |
|--|-------------|------|----------|------------------|----------------------|
| 14" weatherproof reel. | #14/3 SOW-A | 15 | 600 | 55 (24.9) | HBL501431W* |
| 16" weatherproof reel. | #12/3 SOW-A | 20 | 600 | 80 (36.3) | HBL501232W* |
| 16" weatherproof reel, (white reel housing). | #12/3 SOW-A | 20 | 600 | 80 (36.3) | HBL501232WM1* |
| 16" weatherproof reel. | #12/4 SOW-A | 16 | 600 | 86 (39.0) | HBL501242W* |
| 16" weatherproof reel. | #10/3 SOW-A | 25 | 600 | 86 (39.0) | HBL501032W* |
| 16" weatherproof reel, (white reel housing). | #10/3 SOW-A | 25 | 600 | 86 (39.0) | HBL501032WM1* |
| 16" weatherproof reel. | #10/4 SOW-A | 20 | 600 | 92 (41.7) | HBL501042W* |

Note: *All weatherproof cable reels are supplied with wire leads and 3/4" NPT hub feed. Power supply cable not supplied.

Accessories

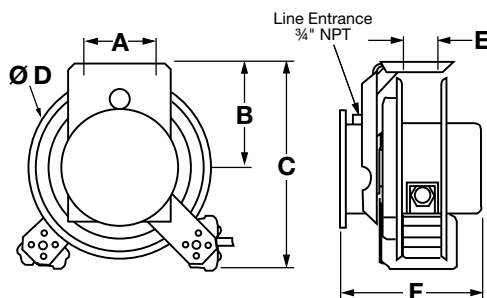
| Description | Weight Lbs. (kg) | Description |
|-------------------|------------------|----------------|
| 14" pivot base. | 5 (2.3) | HBL14PB |
| 16" pivot base. | 13 (5.9) | HBL16PB |
| Replacement stop. | .2 (.09) | HBLWPBS |

Specifications

| | |
|-----------------------|--|
| Listing/Certification | UL 355 and CSA, C22.2 No. 21. |
| Environment | Type 4X enclosure, CAN/CSA - C22.2 No. 21. Dry, indoor and wet and damp outdoor non-hazardous location. |

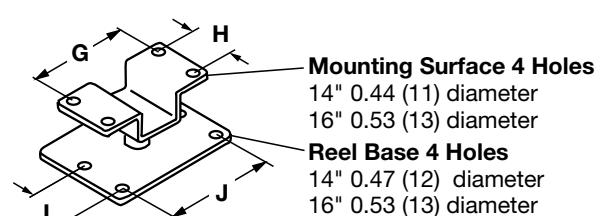
Dimensions

| Inch (mm) | A | B | C | D | E | F | G | H | I | J |
|-----------|----------------|----------------|-----------------|-----------------|---------------|-----------------|----------------|----------------|----------------|----------------|
| 14" Reel | 6.50" (165) | 8.12" (206) | 16.25" (413) | 13.75" (349) | 3.00" (76) | 12.19" (310) | 3.00" (76) | 3.00" (76) | 3.00" (76) | 6.50" (165) |
| 16" Reel | 6.50" (165) | 9.12" (232) | 18.25" (464) | 15.75" (400) | 3.00" (76) | 14.19" (360) | 6.00" (152) | 6.00" (152) | 4.94" (125) | 6.50" (165) |



Pivot Base

340° Pivot Base (Optional)



Note: Pivot base for use only with Weatherproof Cable Reel.

Dimensions in Inches (mm)

Features and Benefits

Industrial Power Cord Reels

- Durable, corrosion resistant steel construction design with yellow or white powder coat finish
- Multi-position guide arm
- Positive-latch mechanism automatically maintains desired cord length
- 12 AWG cord for greater current carrying capacity
- Plug-in 5 ft. long power cord requires no electrical wiring



HBL45123TL20

Industrial Power Cord Reels

| Cord End | Cable Feet (m) | Cable Type | NEMA Style | Amps | Volts AC | Weight Lbs. (kg) | Catalog Number |
|--|----------------|------------|------------|------|----------|------------------|-------------------------|
| Without cord ends. | 50 (15.2) | #16/3 SJ | — | 10 | 125 | 20 (9.1) | HBL50163 |
| Without cord ends. | 45 (13.7) | #12/3 SJ | — | 20 | 125 | 21 (9.5) | HBL45123 |
| HBL5269C connector. | 45 (13.7) | #12/3 SJ | 5-15R | 15 | 125 | 28 (12.7) | HBL45123C |
| HBL5369C connector. | 45 (13.7) | #12/3 SJ | 5-20R | 20 | 125 | 28 (12.7) | HBL45123C20 |
| Same as above with white reel housing. | | | | | | | HBL45123C20W |
| HBL2313 connector. | 45 (13.7) | #12/3 SJ | L5-20R | 20 | 125 | 28 (12.7) | HBL45123TL20 |
| Same as above with white reel housing. | | | | | | | HBL45123TL20W |
| Portable outlet box with (1) gray duplex receptacle. | 45 (13.7) | #12/3 SJ | 5-15R | 15 | 125 | 29 (13.2) | HBL45123R |
| Same as above except white. | 45 (13.7) | #12/3 SJ | 5-20R | 20 | 125 | 29 (13.2) | HBL45123R20 |
| Black portable outlet box with (1) gray duplex receptacle. | 45 (13.7) | #12/3 SJ | 5-20R | 20 | 125 | 29 (13.2) | HBL45123R20WM1 |
| Portable outlet box with (2) gray duplex receptacles. | 45 (13.7) | #12/3 SJ | 5-20R | 20 | 125 | 29 (13.2) | HBL45123R220 |
| Same as above except white. | | | | | | | HBL45123R220W |
| Black portable outlet box with (2) gray duplex receptacles, white reel housing. | 45 (13.7) | #12/3 SJ | 5-20R | 20 | 125 | 29 (13.2) | HBL45123R220WM1 |
| Portable outlet box with (1) ground fault protected gray duplex receptacle. | 45 (13.7) | #12/3 SJ | 5-15R | 15 | 125 | 29 (13.2) | HBL45123GF15 |
| Same as above, with white reel housing. | 45 (13.7) | #12/3 SJ | 5-20R | 20 | 125 | 29 (13.2) | HBL45123GF20 |
| Black portable outlet box with (2) ground fault protected gray duplex receptacles, white reel housing. | 45 (13.7) | #12/3 SJ | 5-20R | 20 | 125 | 25 (11.3) | HBL45123GF220WM1 |

Note: 15 Amp: Supplied with 5 ft. power supply cord with HBL5266C, 15A straight blade plug. 20 Amp: Supplied with 5 ft. power supply cord with HBL5366C, 20A straight blade plug. Ground fault protected reels supplied with (1) GFM20 and (1) HBLP26FS.



HBL45123C



HBL45123TL20



HBL45123R



HBL45123R20WM1



HBL45123GF15



HBL45123GF220WM1



HBL340PB

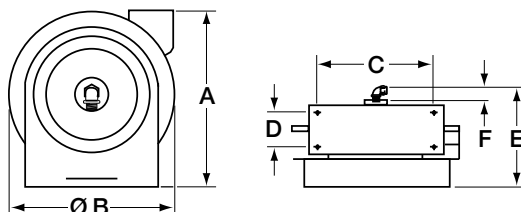
Dimensions in Inches (mm)

Accessories

| Description | Weight Lbs. (kg) | Catalog Number |
|--|------------------|-----------------|
| Pivot base 340° rotation fits all industrial models. | 5 (2.3) | HBL340PB |
| Replacement stop. | .2 (.09) | HBL12BS |

Dimensions

| Inch (mm) | A | B | C | D | E | F |
|-----------|-----------------|-----------------|----------------|---------------|----------------|---------------|
| | 13.00" (330) | 12.38" (314) | 8.00" (203) | 2.50" (64) | 9.75" (248) | 1.25" (32) |



Note: All models have four .625" (15.9) diameter mounting holes.

Listing/Certification

UL 355
CSA C22.2 No. 21.

Environment

Dry, indoor, non-hazardous locations.

Mounting Positions

Wall mount.
Ceiling mount.
Bench mount.

Cable, Cord and Hose Reels



HBL50162LED

Industrial Lighted Cord Reels, 50 Ft. (15.2m) - 16/3 AWG SJEO Cable



| Cord End | Watts (Max) | Amps | Volts AC | Weight Lbs. (kg) | Catalog Number |
|--------------------------------|-------------|------|----------|------------------|--------------------|
| LED hand lamp, with end light. | 8 + 1 | 0.07 | 120 | 21 (9.5) | HBL50162LED |
| Fluorescent hand lamp. | 13 | 0.3 | 120 | 21 (9.5) | HBL50162FL |
| Incandescent hand lamp. | 100 | 0.8 | 125 | 21 (9.5) | HBL50163IN |

Note: Supplied with 5 ft. power supply cord with HBL5266C, 15A straight blade plug.

Accessories



HBLC25143IN

| Description | Watts (Max) | Amps | Volts AC | Weight Lbs. (kg) | Catalog Number |
|-------------------------------------|-------------|------|----------|------------------|-------------------|
| Replacement stop. | — | — | — | .2 (.09) | HBL16BS |
| Replacement LED hand lamp. | 8 + 1 | 0.07 | 120 | 1 (.5) | HBL16LEDR* |
| Replacement fluorescent hand lamp. | 13 | 0.3 | 120 | 1 (.5) | HBL16FLR |
| Replacement incandescent hand lamp. | 100 | 0.8 | 125 | 1 (.5) | HBL16INR |

Note: *ETL Listed by INTERTEK.



HBLC40182LED



HBL50162FL



HBL50163IN

Commercial Lighted Cord Reels



| Description | Cable Feet (m) | Cable Type | Watts (Max) | Amps | Volts AC | Weight Lbs. (kg) | Catalog Number |
|--|----------------|-------------|-------------|------|----------|------------------|-----------------------|
| Reel with LED hand lamp, with flashlight end, white | 40 (12.2) | #18/2 SJTOW | 8 + 1 | 0.65 | 125 | 8.2 (3.7) | HBLC40182LED |
| Reel with non-metallic incandescent hand lamp and automatic shut off switch, yellow. | 25 (7.6) | #16/3 SJT | 75 | 0.6 | 125 | 9.0 (4.1) | HBLC25163AIN** |
| Reel with metallic incandescent hand lamp with receptacle, yellow. | 25 (7.6) | #14/3 SJT | 1,625 | 13 | 125 | 9.5 (4.3) | HBLC25143IN |
| Reel with fluorescent hand lamp and automatic shut off switch, white. | 40 (12.2) | #18/2 SJTOW | 13 | 0.3 | 120 | 8.2 (3.7) | HBLC40182AFL** |
| Reel with fluorescent hand lamp and in-line receptacle, white. | 40 (12.2) | #16/3 SJT | 1,200 | 10 | 120 | 9.0 (4.1) | HBLC40163FL |

Note: **Allows the electrical cord reel installation to conform to Article 511 of the National Electric Code concerning installation of electrical devices in commercial garages, repair facilities and storage locations by positioning the switch above the defined area where hazardous fumes may collect.



HBLC40182AFL



HBLC40163FL

INTERTEK and the Intertek logo are registered trademarks of Intertek Group plc.

Features and Benefits

Commercial Cord Reels

- Durable steel construction for commercial and general purpose applications
- Compact size, flexible mounting options for ceiling, wall or bench
- Automatic ratchet lock holds cord at desired length and provides easy, smooth retraction of cord
- 12 AWG cord for greater current carrying capacity
- Attached plug for power cord requires no wiring



Commercial Cord Reels

- Durable light weight non-metallic housing
- Removable bracket allows reel to be disengaged from mount providing portability
- 40 Ft. of #12/3 cord for greater current carrying capacity
- Triple tap outlet with supplemental over current protection

Commercial Cord Reels

| Description | Cable Feet (m) | Cable Type | Watts (Max) | Amps | Volts AC | Weight Lbs. (kg) | Catalog Number |
|---|----------------|------------|-------------|------|----------|------------------|--------------------|
| Reel with triple tap outlet, black. | 40 (12.2) | #12/3 SJTW | 1,875 | 15 | 125 | 9.0 (4.1) | HBLC40123TT |
| Reel with wire leads, black. | 40 (12.2) | #12/3 SJTW | 1,875 | 15 | 125 | 9.0 (4.1) | HBLC40123 |
| Reel with triple tap outlet, with white cord. | 30 (9.1) | #16/3 SJT | 1,250 | 10 | 125 | 8.5 (3.9) | HBLC30163TT |
| Reel with a Hubbell HBL5969VBLK connector, yellow. | 25 (7.6) | #16/3 SJT | 1,250 | 10 | 125 | 8.5 (3.9) | HBLC25163C |
| Reel with wire leads, yellow. | 25 (7.6) | #16/3 SJT | 1,250 | 10 | 125 | 8.5 (3.9) | HBLC25163** |
| Replacement mounting bracket for 12/3 cable, commercial cord reels HBLC40123(TT). | — | — | — | — | — | .3 (.17) | HBLC12MB |

Note: Reels supplied with 2 ft. power supply cord and molded on straight blade 15A plug.
 **UL Listed only.



HBLC40123TT

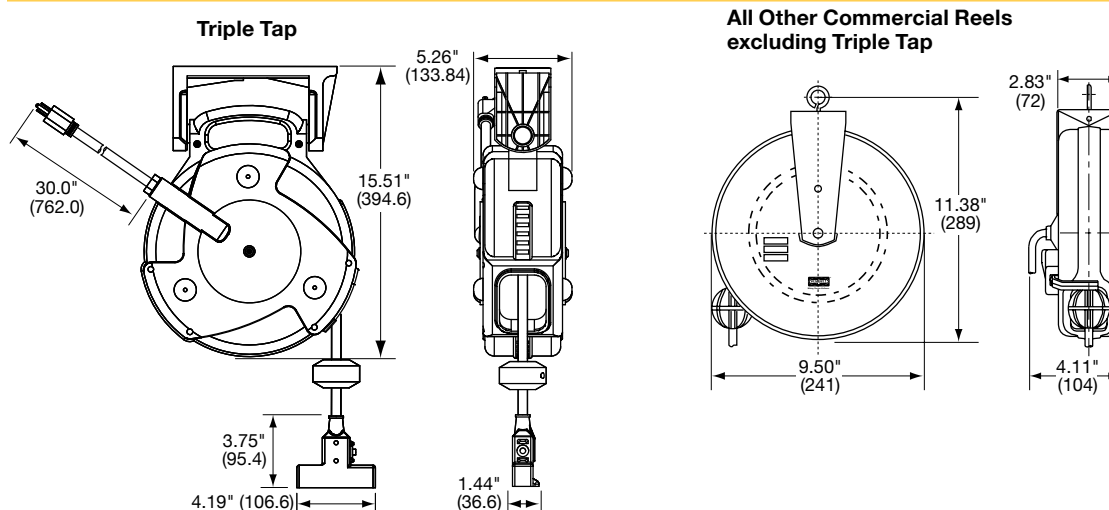


HBLC25163C

Specifications

| | |
|-----------------------|--|
| Listing/Certification | UL 355. |
| Environment | Dry, indoor, non-hazardous locations. |
| Incandescent Lamp | 75 watt max., auto switch, no receptacle; 100 watt max. bulb, with receptacle. |
| Fluorescent Lamp | 10A/1200W max. with in-line receptacle; 13 watt without receptacle. |

Dimensions



Dimensions in Inches (mm)

Cable, Cord and Hose Reels

Features and Benefits

Air/Water Hose Reels

- Constructed of rugged steel, baked polyester finish components
- Multi-position four roller guide and adjustable hose stop
- Spring rewind and ratchet lock
- Full flow shafts and swivels assure maximum product delivery



HBLHR2535



HBL50SD

Static Discharge Reels

- Steel construction
- Compact design minimizes required installation space
- Available with steel or nylon coated steel cable
- Large grounding jaw clamp provides low resistant ground termination

Air/Water Hose Reels

| Description | Cable Feet (m) | Max Pressure Psi | Frame Size | Input Hose Fitting (NPTF) | O.D. Inch (mm) | Weight Lbs. (kg) | Catalog Number |
|-----------------------|----------------|------------------|------------|---------------------------|----------------|------------------|------------------|
| Low pressure 1/4" ID. | 35 (10.7) | 300 | A | 1/4 | 0.51 (13.0) | 24 (10.9) | HBLHR2535 |
| | 50 (15.2) | 300 | B | 1/4 | 0.51 (13.0) | 26 (11.8) | HBLHR2550 |
| Low pressure 3/8" ID. | 25 (7.6) | 300 | A | 3/8 | 0.65 (16.5) | 23 (10.4) | HBLHR3825 |
| | 50 (15.2) | 300 | C | 3/8 | 0.65 (16.5) | 36 (16.3) | HBLHR3850 |
| | 70 (21.3) | 300 | E | 3/8 | 0.65 (16.5) | 50 (22.7) | HBLHR3870 |
| Low pressure 1/2" ID. | 35 (10.7) | 300 | C | 3/8 | 0.77 (19.6) | 38 (17.2) | HBLHR5035 |
| | 50 (15.2) | 300 | E | 3/8 | 0.77 (19.6) | 44 (20.0) | HBLHR5050 |



HBLHR2535



HBL50SD

Static Discharge Reels

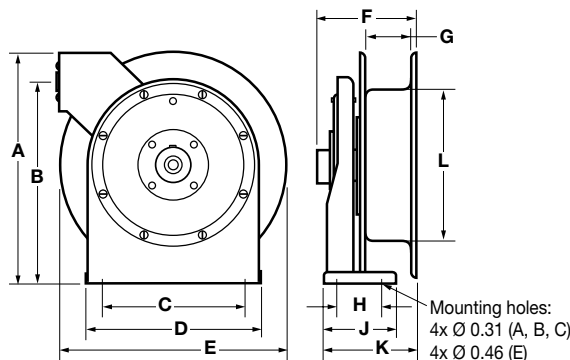
| Description | Cable Feet (m) | Cable Type | Weight Lbs. (kg) | Catalog Number |
|------------------------|----------------|---------------------------------|------------------|-----------------|
| Static discharge reel. | 50 (15.2) | Single 3/32" Steel | 12 (5.4) | HBL50SD |
| Static discharge reel. | 50 (15.2) | Single 3/32" Steel Nylon Coated | 13 (5.9) | HBL50SDN |
| Static discharge reel. | 50 (15.2)* | Dual (Y) 3/32" Steel | 13 (5.9) | HBL50YSD |

Note: *35 ft. (10.6m) + Dual 15 ft. (4.5m) for "Y".

Dimensions

| Frame size | A | B | C | D | E | F | G | H | J | K | L | M |
|------------|----------------|----------------|---------------|----------------|----------------|---------------|--------------|--------------|---------------|---------------|----------------|--------------|
| A | 12.88 (327) | 11.25 (286) | 8.00 (203) | 9.88 (250) | 12.13 (308) | 5.50 (140) | 2.50 (64) | 2.50 (64) | 4.00 (102) | 5.09 (132) | 8.38 (213) | — |
| B | 14.50 (368) | 12.81 (325) | 9.75 (248) | 11.25 (285) | 13.75 (349) | 6.19 (157) | 3.16 (80) | 2.50 (64) | 4.00 (102) | 5.88 (149) | 8.38 (213) | — |
| C | 17.50 (445) | 15.63 (286) | 9.75 (248) | 11.25 (285) | 16.50 (419) | 6.19 (157) | 3.16 (80) | 2.50 (64) | 4.00 (102) | 5.88 (149) | 10.25 (260) | — |
| E | 20.38 (518) | 18.12 (460) | 7.88 (200) | 9.45 (240) | 19.00 (483) | 6.63 (168) | 3.35 (85) | 3.86 (98) | 5.43 (138) | 6.10 (155) | 11.00 (280) | 9.5 (241) |

Air/Water Hose Reels



Dimensions in Inches (mm)

Static Discharge Reel

